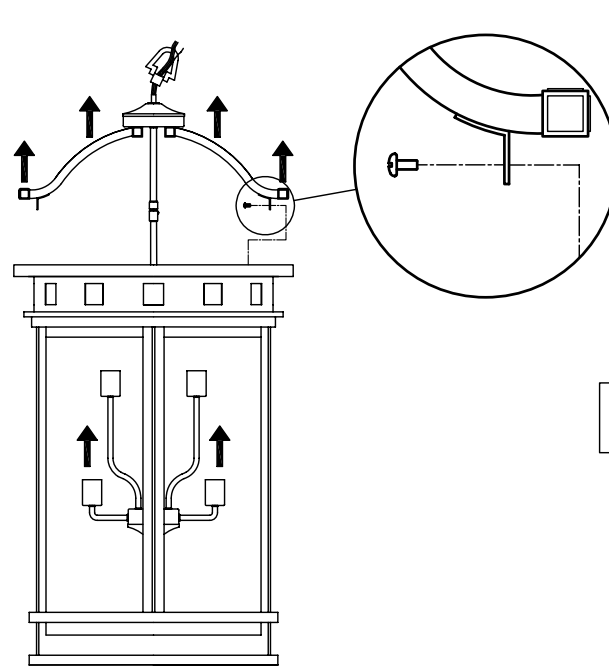


ASSEMBLY:

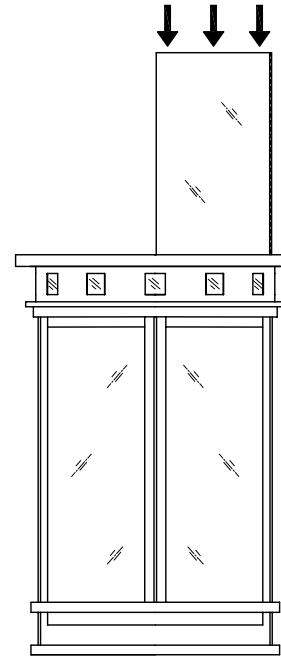
1.) Remove mounting screws for top arm assembly. Lift out top arm assembly with light cluster from cage.

1



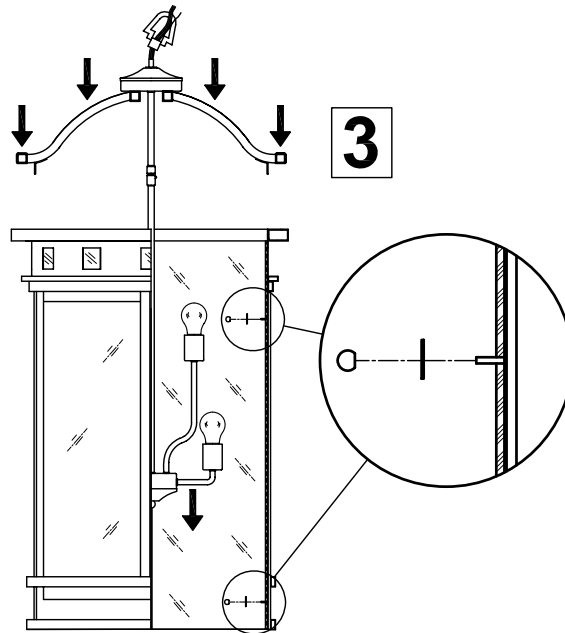
2.) Slide glass panels into cage.

2



3.) Secure glass panels to cage, using provided panel brackets and ball nuts. Install light bulbs onto sockets of light cluster. Slide top arm assembly and light cluster back into the cage.

3



4.) Replace previously removed mounting screws to secure the arm assembly and light cluster to the cage. Secure top loop to top of arm assembly.

4

